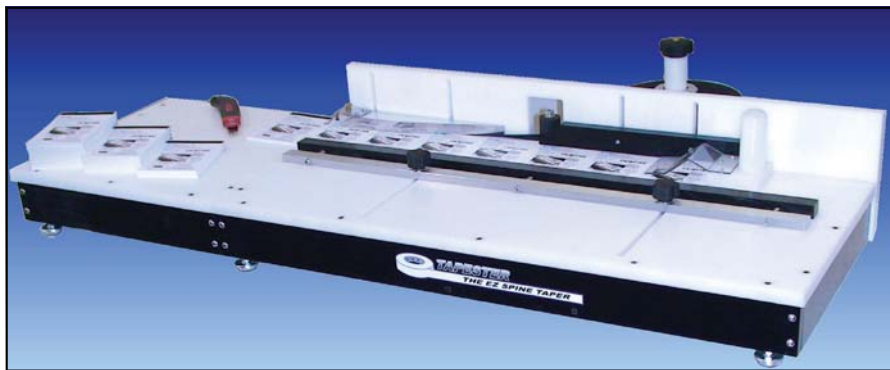




TAPESTER

THE EZ SPINE TAPER

The tabletop **TAPESTER** Applies Pressure Sensitive Tape around the spine of pre-bound tablets, notepads, etc.



Tape Binding Speeds

- up to 1,000 pads per hour

Square and Accurate

- applies tape to product from 1/8"- 2 1/2" thick and 3"- 22" long

Uses Cloth or Paper Tapes

- from 1/2" to 3" widths, and up to 10" diameter rolls

◆◆◆◆ PERFECT for digital on demand products ◆◆◆◆



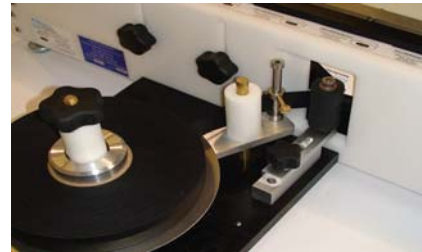
EZ Operate

Just push the pad through by hand. The TAPESTER applies tape evenly and squarely.



EZ Tape Cutting

One quick swipe between pads and the tape is cut, producing a flush-cut finished tablet.



EZ Change Over

No tools required. All adjustments made with soft-touch knobs.

Applications: Ticket Books, Coupon Books, Guest Checks, Checkbooks, Legal Tablets, Writing Tablets, Notepads, Drawing Pads, Artist Pads, etc.

After 30 years of buying, selling, and rebuilding automatic taping equipment we decided it was time to design our own tabletop Tapester.

"MADE IN THE USA"

All of our employees had something to add to the design and together as a team we developed a machine we are proud of. We hope you agree!

-The PFE Team

WE SELL TAPE

BINDING TAPE SALES

800-990-2440

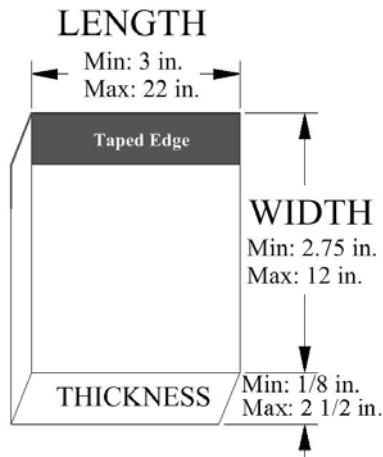
Pressure Sensitive
Cloth & Paper Tapes
Large Size Rolls
Variety of Colors & Widths



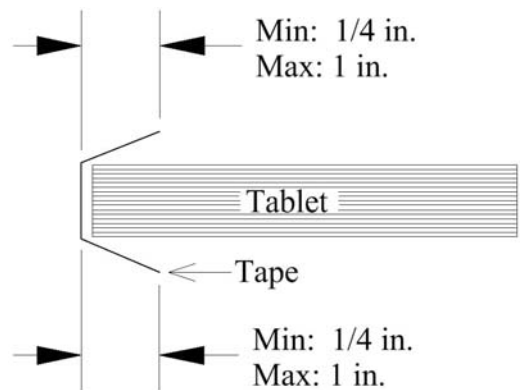
www.bindingtape.com

Specifications

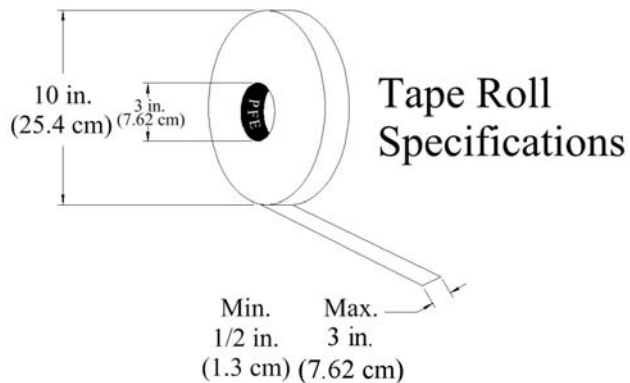
Tablet Size



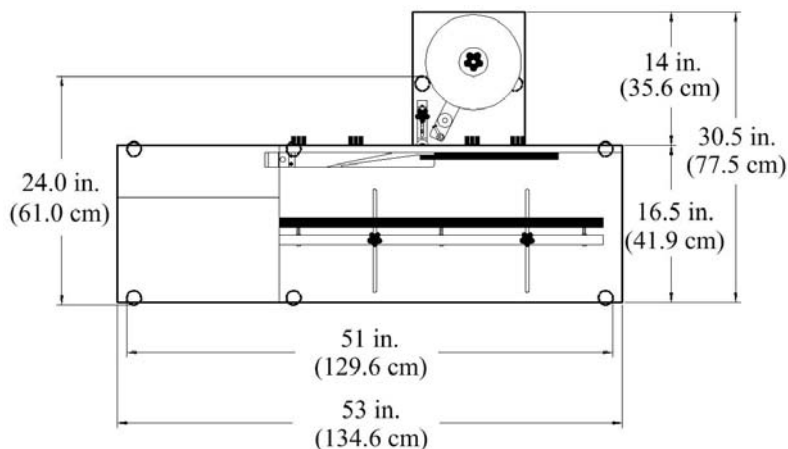
Tape Turnover



Pressure Sensitive Tape



Machine Dimensions



Tablet Size:

Length

Min: 3 inches (7.6 cm)
Max: 22 inches (55.9 cm)

Width

Min: 2.75 inches (7 cm)
Max: 12 inches (30.5 cm)

Thickness

Min: 1/8 inch (.32 cm)
Max: 2 1/2 inches (6.4 cm)

Tape Turnover:

Min: 1/4 inch (.6 cm)
Max: 1 inch (2.5 cm)

Tape Roll:

Width

Min: 1/2 inch (1.3 cm)
Max: 3 inches (7.6 cm)

Roll Diameter

10 inch maximum (25.4 cm)

Roll Core Diameter

3 inches (7.6 cm)

Shipping Weight & Dimensions

Weight: 96 lbs.

Dimensions: 40" L x 20" W x 17" H

Manufactured & Sold by:



800-990-2440

www.pfequip.com



**PRINT &
FINISHING
EQUIPMENT, inc.**

130 Main St. Maple Hill, Kansas 66507 785-256-4114